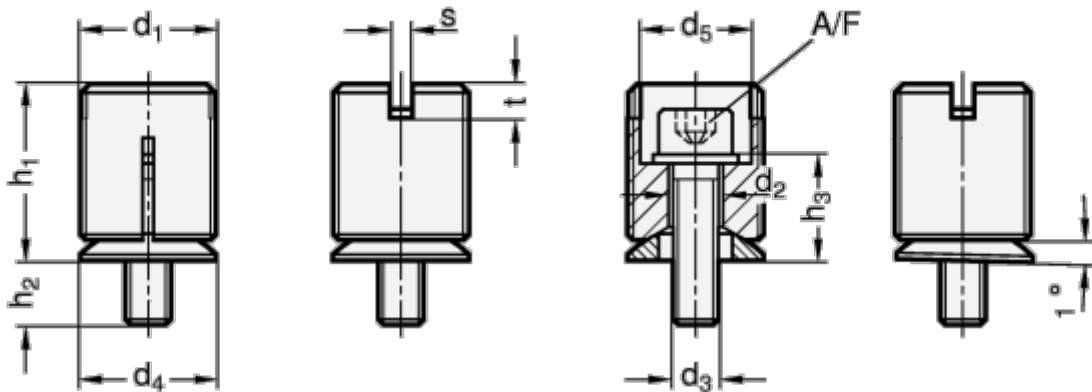


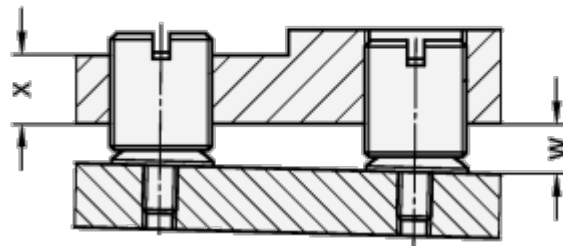
Article number: 20355M361518ST

Description: E+G Levelling elements, GN 355-M36x1.5-18-ST

Measures



Application example



A/F = 14	h3 = 24.2
d1 = M36x1.5	Load in KN = 91
d2 = 18	s = 4
d3 = M16	t = 6
d4 = 36	Tool = GN 355.1-36
d5 = 31.6	W.max = 21
h1 = 54.7	Weight in (g) = 228
h2 = 15.8	X.min = 24